



Tachyon Protocol

The Next Generation TCP/IP
A Decentralized Internet Protocol Stack Based On Blockchain.

On the Foundation of V SYSTEMS

- The First General Purpose Blockchain Database by Sunny King, Inventor of PoS;
- World Top 5 Staking Coin by Staked.us;
- Rank 27th on Coinmarketcap.

Combined with X-VPN Tech

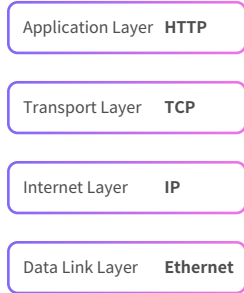
- World Leading VPN solution Provider;
- 50,000,000 Global Users;
- Top 20 Mobile App on App Store and Google Play.

Benefit for 900 Million+ Users

- The Emergence of Cybersecurity Issues is on The Rise;
- 30% of the Internet Users is the VPN Users;
- VPN is Used Once A Week for 70% of Users.

Why need Tachyon Protocol?

1. TCP/IP is not secure, robust and efficient enough for blockchain



The now aging TCP/IP protocol can no longer meet today's internet demands. Many of today's frequent security issues can also be traced back to the insecurity design of the protocol.

- (1) Star Topology architecture is not robust enough as one central node issue could cost the whole network
- (2) IP address can be easily traced;
- (3) TCP mechanism will consume lots of time and bandwidth. It will be overwhelmed by the massive information broadcasting in the blockchain.
- (4) TCP is vulnerable against DoS, DDoS, CC attacks.;
- (5) HTTP lacks security, vulnerable to penetration&hijacking;
- (6) TLS 1.3 may still be blocked due to SNI does not conceal the requested hostname.

2. Centralized VPNs cannot promise absolute security and privacy

Privacy Policies are nothing but plain statements; User data had been sold by VPN providers on multiple occasions; Centralized VPNs are compromised when comes to authorities; Network stability cannot be guaranteed thus the speed varies

What is Tachyon Protocol?

Based on basic technology of X-VPN, the Tachyon protocol will rebuild the TCP/IP protocol to make the Blockchain and its ecosystem Safer, More Anonymous, More Reliable, More Stable and Faster.



Tachyon Booster UDP

- 1000% faster than TCP/IP
- 90% connectivity rate on weak networks
- 99.99% reliability of the network



Tachyon Security Protocol

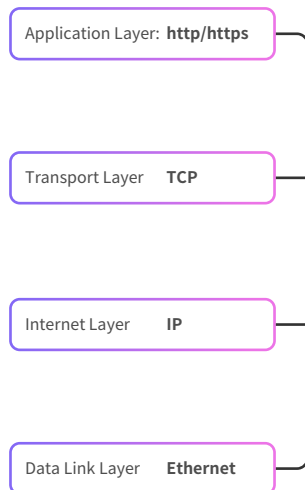
- ECDHE-ECDSA asymmetric encryption
- 8 encrypted tunnels to protect data
- Reconstruct the security of blockchain



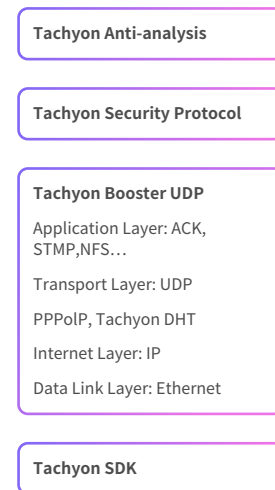
Tachyon Anti-analysis

- 50 million distributed nodes Joined
- 100% anonymous, No central serve
- Unblock 99% of the firewalls/fliters

TCP/IP Model

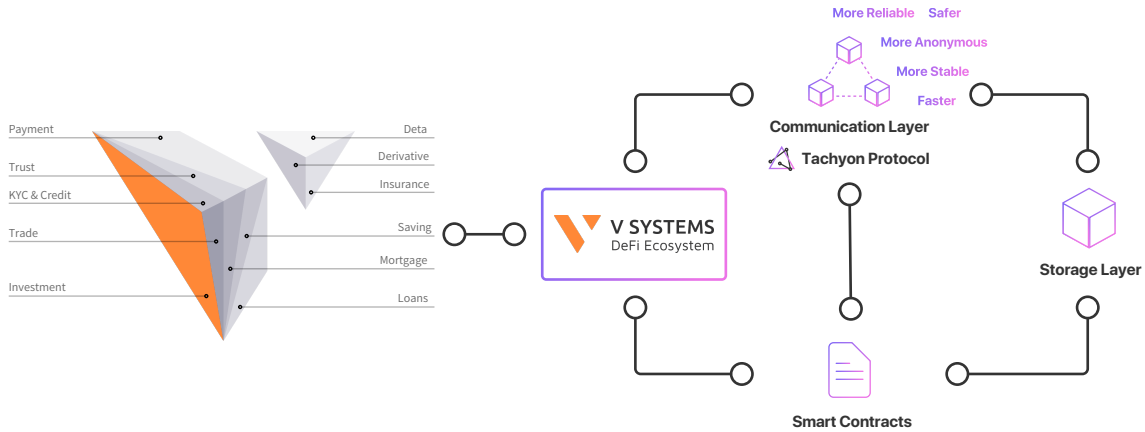


Tachyon Protocol



How can Tachyon Protocol contribute for Blockchain?

Integrate Tachyon Protocol to strengthen the stability, security, privacy and transfer speed of V SYSTEMS DeFi ecosystem.



How can Tachyon Protocol contribute for Blockchain?

Step1: Base on VSYS main net, develop Tachyon Decentralized VPN, provide security & privacy protection services for 50 million users.

Step2: Integrate Tachyon protocol into VSYS DeFi Ecosystem as the communication protocol, provide service to the Eco to further strengthen its security and stability.

Step3: Integrate Tachyon Protocol into other Blockchains, add support for more Defi, gaming, internet surfing, instant communication, data distributing services

Step4: ampaign for Tachyon Protocol replacing TCP/IP, truly realize Tachyon Eco.

About IPX Token

The Next Generation TCP/IP Internet Protocol Stack driven by IPX Token

The IPX Token is the cryptocurrency of the Tachyon Protocol. On the Tachyon platform, the IPX Token will be used to pay data transferring fee, staking the traffic supernode, leasing, and mining. The IPX Token will also be used to pay the fee on future Tachyon sidechain and cross-chain application on V SYSTEMS mainnet.

Roadmap

